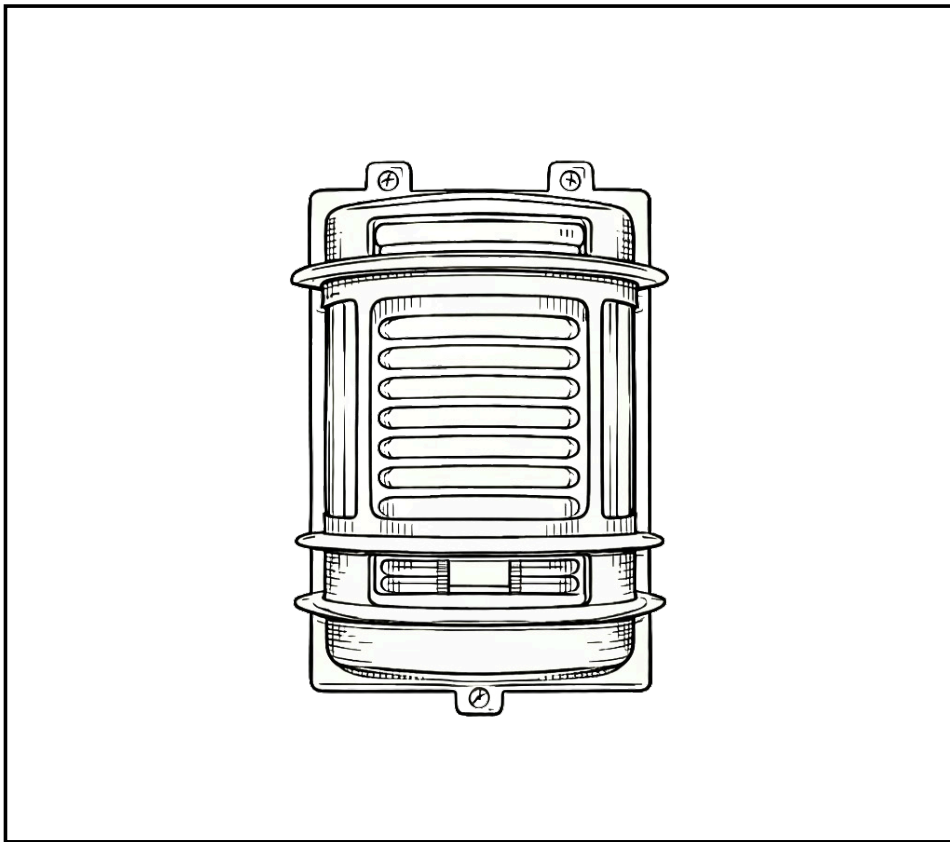




Navigator



Cargo Wall Light Installation Guide

Applies to models: 09017, 09005, 09018, 09898

Components

1x Light fitting

1x E27 lampholder

1x plastic insulating cover for lamp holder

4x wall-plugs and screws

4x rubber retainers

4x plastic washers

4x insulation hoses

1x rubber inlet for power cable

Electrical safety warning

- Before any work turn off the mains supply.
- Installation should only be carried out by a qualified electrician, who should be aware of the current Regulations on Internal & External Installations.
- In case of glass breakage, replacement must be made immediately.
- Lightbulb Wattage should never exceed the Wattage (W) indicated on the label of packaging of the product.
- The product should be connected to a line protected by a differential current circuit, while the nominal persistent operating current should not exceed 30mA (leakage relay).

General information

- 230V ~ 50Hz
- Class I
- E27 porcelain lamp holder
- Not intended for mesh connection.
- Intended for connection to fixed wiring.
- 3G1.5 power cable should be used for the connection of the light fixture.
- Power cable not included.

Installation Instructions

IMPORTANT: If you are unsure at any point, STOP and seek professional assistance. Do not proceed unless you are confident.

A. MOUNTING THE LIGHT FIXTURE

1. Unscrew the cage and remove the glass from the body of the light fixture.
2. Using the base of the light fixture as an installation holder, mark the surface on which you wish to mount it.
3. Drill holes to mount the fixture and fix the base of the light fixture to it using the supplied wall-plugs and screws.

B. CONNECTING THE POWER CABLE

4. Pass the cable through the cable clamp.
5. Cover the wires with the supplied insulating hoses.
6. Connect the live wire (brown) and the neutral wire (blue) to the lamp holder.
7. Connect the grounding wire (yellow/green) to the grounding point(\perp) using the supplied screw and M4 washer.
8. Place the plastic insulating cover over the lamp holder.
9. Screw the lamp into the lamp holder.
10. Fit the glass and fasten the cage to the edge of the light fixture.
11. Turn on the power supply.

C. REPLACING THE LIGHTBULB

12. Turn off the mains supply.
13. Allow the bulb to cool before touching it.
14. Unscrew the cage.
15. Remove the glass.
16. Unscrew the lightbulb gently.
17. Do not touch the lightbulb with bare hands.
18. Use a dry cloth to hold the lightbulb.
19. Replace the lightbulb with the same kind and wattage.
20. Insert the new lightbulb very carefully while it is still in the lamp holder.
21. Before switching on the power supply, clean the lightbulb.
22. Screw the glass and cage back on.

The manufacturer bears no responsibility for any injury or damage resulting from incorrect installation or use of the product.

Navigator Lighting (part of Lampfix)
Unit 6 Fen End, Stotfold, Hitchin, Herts. SG5 4BA

Tel: 01462 731173 | Email: sales@navigatorlighting.co.uk |
Website: navigatorlighting.co.uk V3 08.05.2026